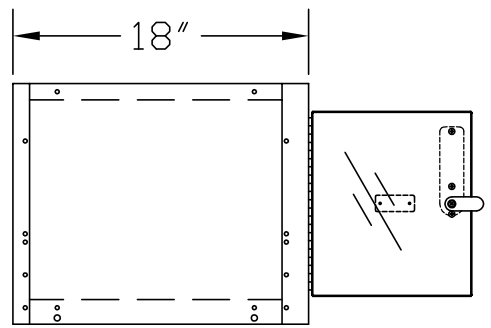


HALLOWELL "DIGI-TECH SAFETY-VIEW PLUS" K.D. WALL MOUNTED LOCKER (PRODUCT No. UESVP1482-4WM) (4-WIDE)

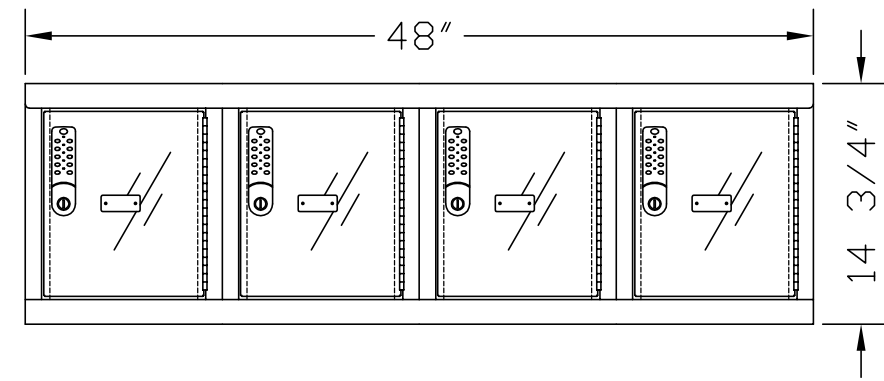
HALLOWELL DIGI-TECH SAFETY-VIEW PLUS "KD" LOCKER SPEC.

COMPONENT	GAUGE	MATERIAL	REMARKS
DOORS		POLYCARBONATE	HIGH STRENGTH CLEAR DOORS
FRAMES	16	COLD ROLLED STEEL	SOLID
TOPS	24	COLD ROLLED STEEL	SOLID
BOTTOMS	24	COLD ROLLED STEEL	SOLID
SHELVES	24	COLD ROLLED STEEL	SOLID
SIDES	24	COLD ROLLED STEEL	SOLID
BACKS	24	COLD ROLLED STEEL	SOLID
HANDLE			HALLOWELL DIGITAL LOCK
HINGES	16	PLATED STEEL	CONTINUOUS PIANO TYPE
BODY COMPONENT COLOR			729 PARCHMENT

LATCHING: (BOX DOOR) SINGLE POINT FRICTION CATCH WITH DOOR PULL. DOOR WILL ACCEPT BUILT-IN LOCK OR PADLOCK.

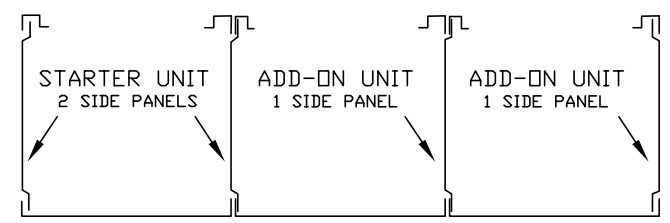


SIDE VIEW

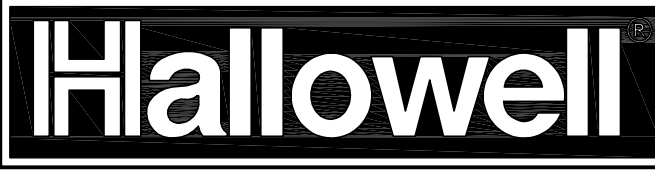


FRONT VIEW

**FOR SUBMITTAL
USE ONLY**
SUBJECT TO APPROVAL



STARTER / ADD-ON LAYOUT
SCALE: NONE



THIS DRAWING AND THE INFORMATION ON IT IS THE CONFIDENTIAL PROPERTY OF HALLOWELL, INC. AND SHALL NOT BE COPIED OR DISCLOSED TO OTHERS WITHOUT WRITTEN PERMISSION. ONLY HALLOWELL, INC. RESERVES THE RIGHT TO ALTER ANY DESIGN. ANY UNAUTHORIZED MODIFICATIONS RELEASES HALLOWELL, INC. FROM ALL LIABILITIES.

TOLERANCES UNLESS SPECIFIED:
FRACTIONS: ±1/32 DECIMALS: ±.010 DEGREES: ±1°

Customer: PBJ SPECIALTIES
Customer Quote Number: 180897-2
Description: 4-WIDE DIGITECH LOCKER
HOUSTON, TX

Drawn By: JFA	Checked By:	Date: 04.25.2016	Scale: NONE
Acad Number:	Sheet 1 Of 1		Revision:
Drawing Number:			