

SINGLE TIER POLY	QTY 100
<b>W:</b>	12"
<b>D:</b>	18"
<b>H:</b>	60"

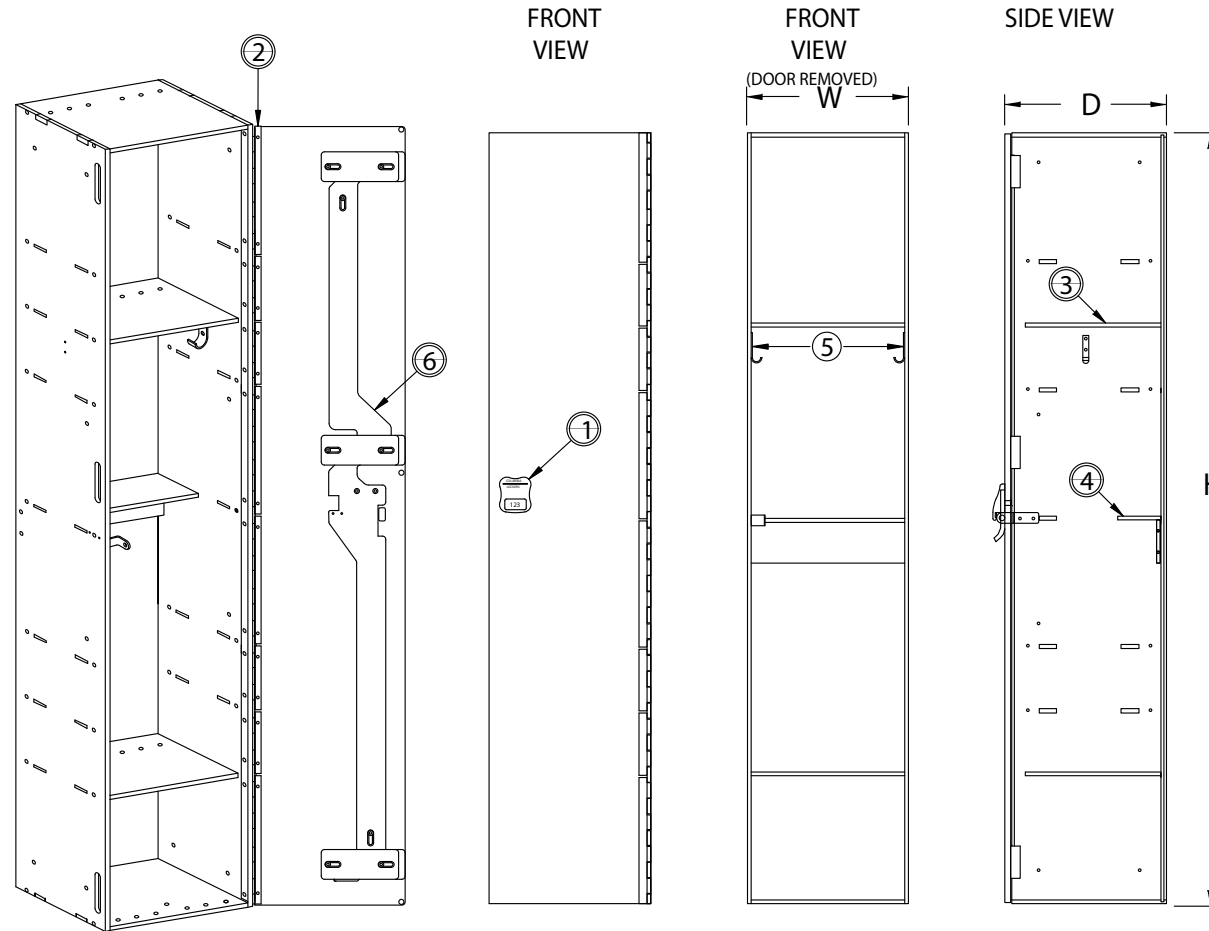
Interior Color: PL-310 WHITE  
 Exteior Color: TO BE ASSIGNED  
 Material: STD. POLYLIFE®

① LOCK TYPE:	HASP
② HINGE TYPE:	UNI-HINGE®
③ FULL SHELF	QTY. 2
④ VANITY:	QTY. 1
⑤ COAT HOOK(S):	QTY. 2
⑥ LATCH ASSY.	QTY. 1

Additional Options:

Notes:

<b>MATERIAL THICKNESS</b>	
Tops/Bottoms/Shelves:	3/8"
Back Panel/Sides Panels:	3/8"
Doors:	1/2"



FOR SUBMITTAL  
USE ONLY  
SUBJECT TO APPROVAL



THIS DRAWING AND THE INFORMATION ON IT IS THE CONFIDENTIAL PROPERTY OF HALLOWELL, INC. AND SHALL NOT BE COPIED OR DISCLOSED TO OTHERS WITHOUT WRITTEN PERMISSION. ONLY LIST INDUSTRIES RESERVES THE RIGHT TO ALTER ANY DESIGN. ANY UNAUTHORIZED MODIFICATIONS RELEASES LIST INDUSTRIES FROM ALL LIABILITIES.

TOLERANCES UNLESS SPECIFIED:  
 FRACTIONS: ±1/32 DECIMALS: ±.010 DEGREES: ±1°

Customer: COMPANY  
 Customer Order Number: PURCHASE ORDER  
 Description:

Drawn By: DRAFTER	Checked By:	Date: DATE	Scale: NONE
Acad Number: PAGE NUMBER	Sheet #	#	Revision: 1
Drawing Number:			

TWO TIER POLY	QTY	___
<b>W:</b>	12"	
<b>D:</b>	12"	
<b>H:</b>	72"	

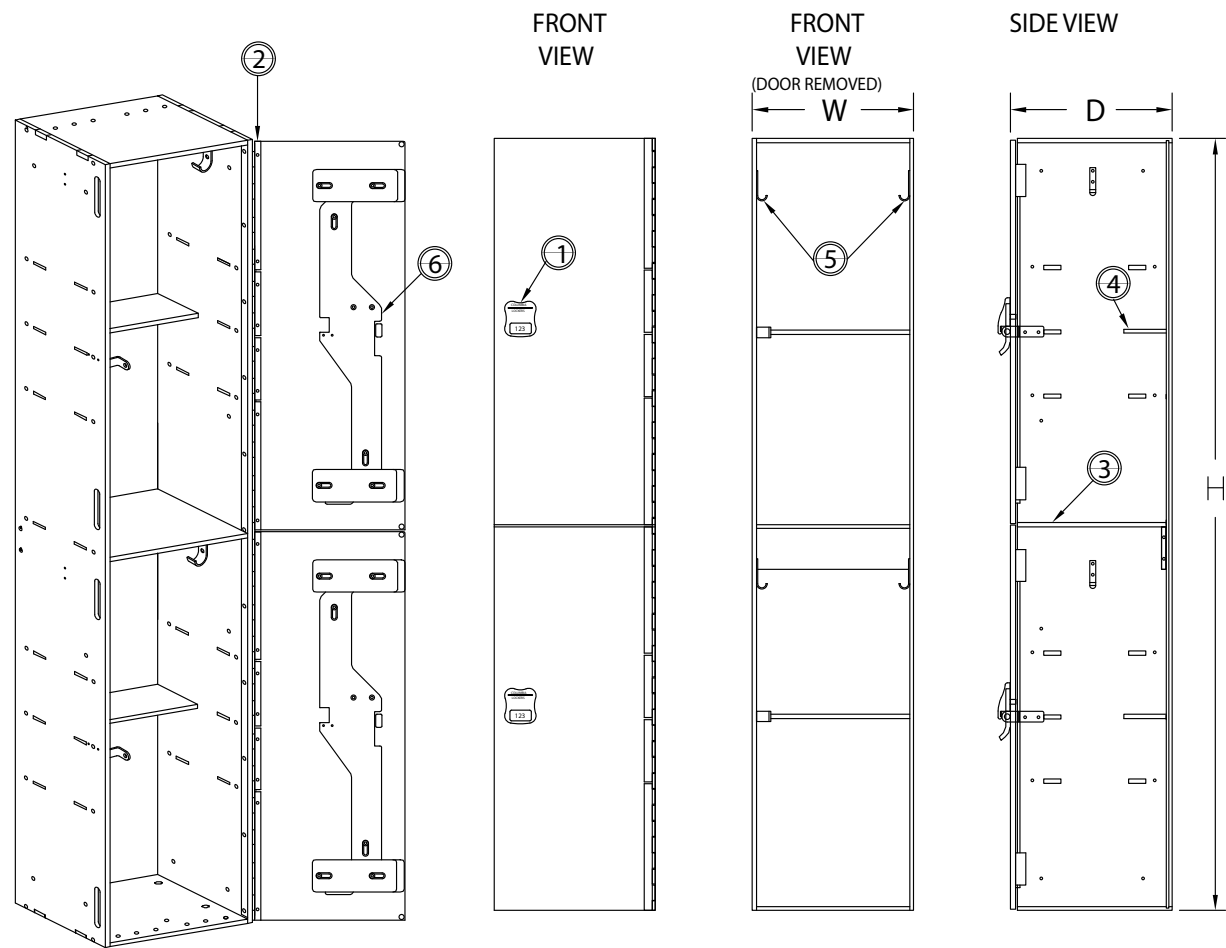
Interior Color: PL-310 WHITE  
 Exteior Color: PL-340 SLATE  
 Material: STD. POLYLIFE®

①	LOCK TYPE:	HASP
②	HINGE TYPE:	UNI-HINGE®
③	FULL SHELF	QTY. 1
④	VANITY:	QTY. 2
⑤	COAT HOOK(S):	QTY. 4
⑥	LATCH ASSY.	QTY. 2

Additional Options:

Notes:

<b>MATERIAL THICKNESS</b>	
Tops/Bottoms/Shelves:	3/8"
Back Panel/Sides Panels:	3/8"
Doors:	1/2"



FOR SUBMITTAL  
USE ONLY  
SUBJECT TO APPROVAL



THIS DRAWING AND THE INFORMATION ON IT IS THE CONFIDENTIAL PROPERTY OF HALLOWELL, INC. AND SHALL NOT BE COPIED OR DISCLOSED TO OTHERS WITHOUT WRITTEN PERMISSION. ONLY HALLOWELL, INC. RESERVES THE RIGHT TO ALTER ANY DESIGN. ANY UNAUTHORIZED MODIFICATIONS RELEASES HALLOWELL, INC. FROM ALL LIABILITIES.  
 TOLERANCES UNLESS SPECIFIED:  
 FRACTIONS: ±1/32    DECIMALS: ±0.10    DEGREES: ±1°

Customer:  
 Customer Order Number:  
 Description:

Drawn By:	Checked By:	Date:	Scale:
JFA		01.17.2014	NONE
Acad Number:	Sheet	Of	Revision:
	1	1	
Drawing Number:			

TWO TIER POLY	QTY
<b>W:</b>	12"
<b>D:</b>	18"
<b>H:</b>	72"

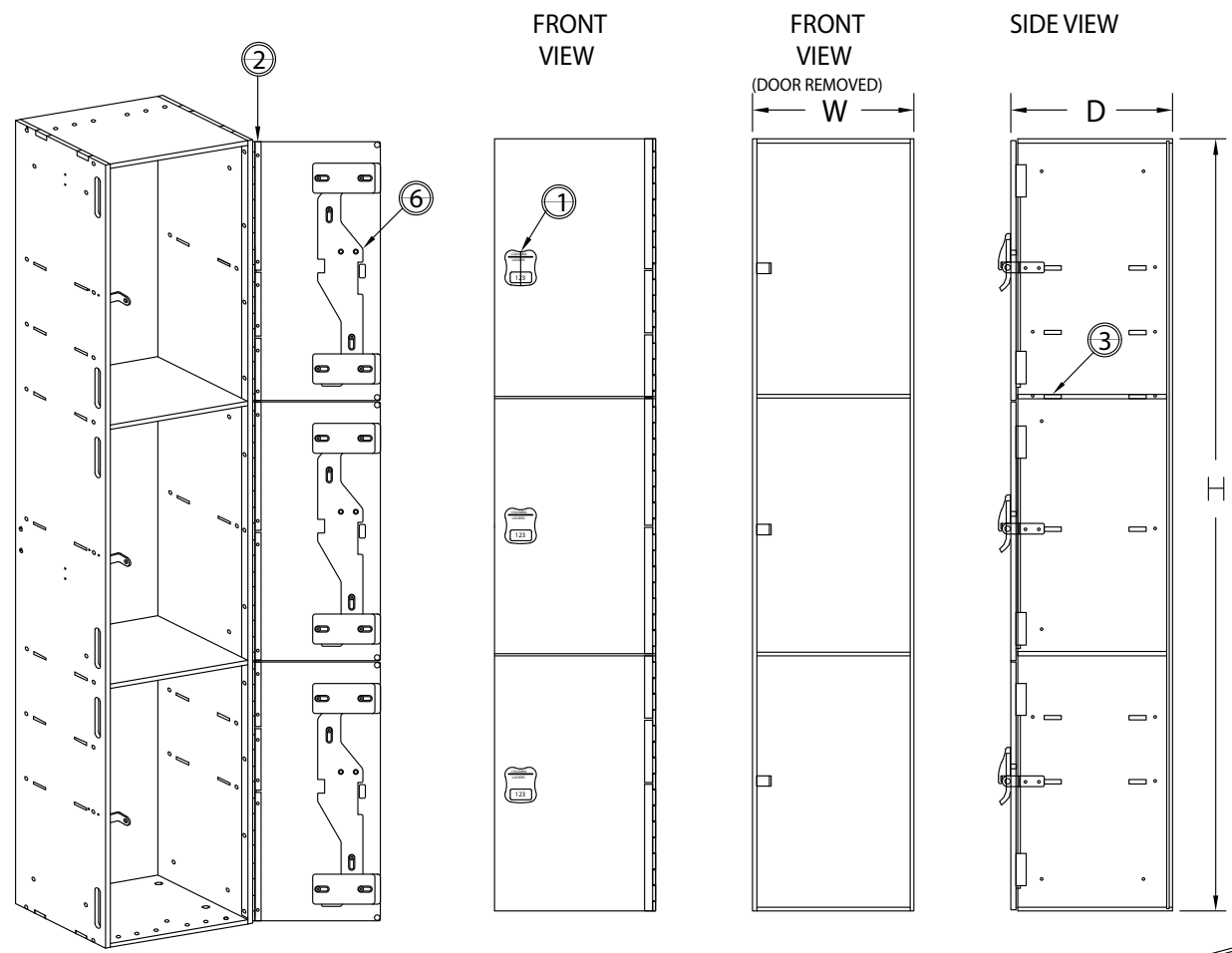
Interior Color: PL-310 WHITE  
 Exteior Color: PL-340 SLATE  
 Material: STD. POLYLIFE®

①	LOCK TYPE:	HASP
②	HINGE TYPE:	UNI-HINGE®
③	FULL SHELF	QTY. 2
④	VANITY:	QTY. N/A
⑤	COAT HOOK(S):	QTY. N/A
⑥	LATCH ASSY.	QTY. 3

Additional Options:

Notes:

<b>MATERIAL THICKNESS</b>	
Tops/Bottoms/Shelves:	3/8"
Back Panel/Sides Panels:	3/8"
Doors:	1/2"



**FOR SUBMITTAL  
 USE ONLY  
 SUBJECT TO APPROVAL**



THIS DRAWING AND THE INFORMATION ON IT IS THE CONFIDENTIAL PROPERTY OF HALLOWELL, INC. AND SHALL NOT BE COPIED OR DISCLOSED TO OTHERS WITHOUT WRITTEN PERMISSION. ONLY HALLOWELL, INC. RESERVES THE RIGHT TO ALTER ANY DESIGN. ANY UNAUTHORIZED MODIFICATIONS RELEASES HALLOWELL, INC. FROM ALL LIABILITIES.

TOLERANCES UNLESS SPECIFIED:  
 FRACTIONS: ±1/32 DECIMALS: ±.010 DEGREES: ±1°

Customer:  
 Customer Order Number:  
 Description:

Drawn By: JFA	Checked By:	Date: 01.17.2014	Scale: NONE
Acad Number:	Sheet Of 1	Revision:	
Drawing Number:			

SIX TIER POLY	QTY 6
<b>W:</b>	12"
<b>D:</b>	18"
<b>H:</b>	72"

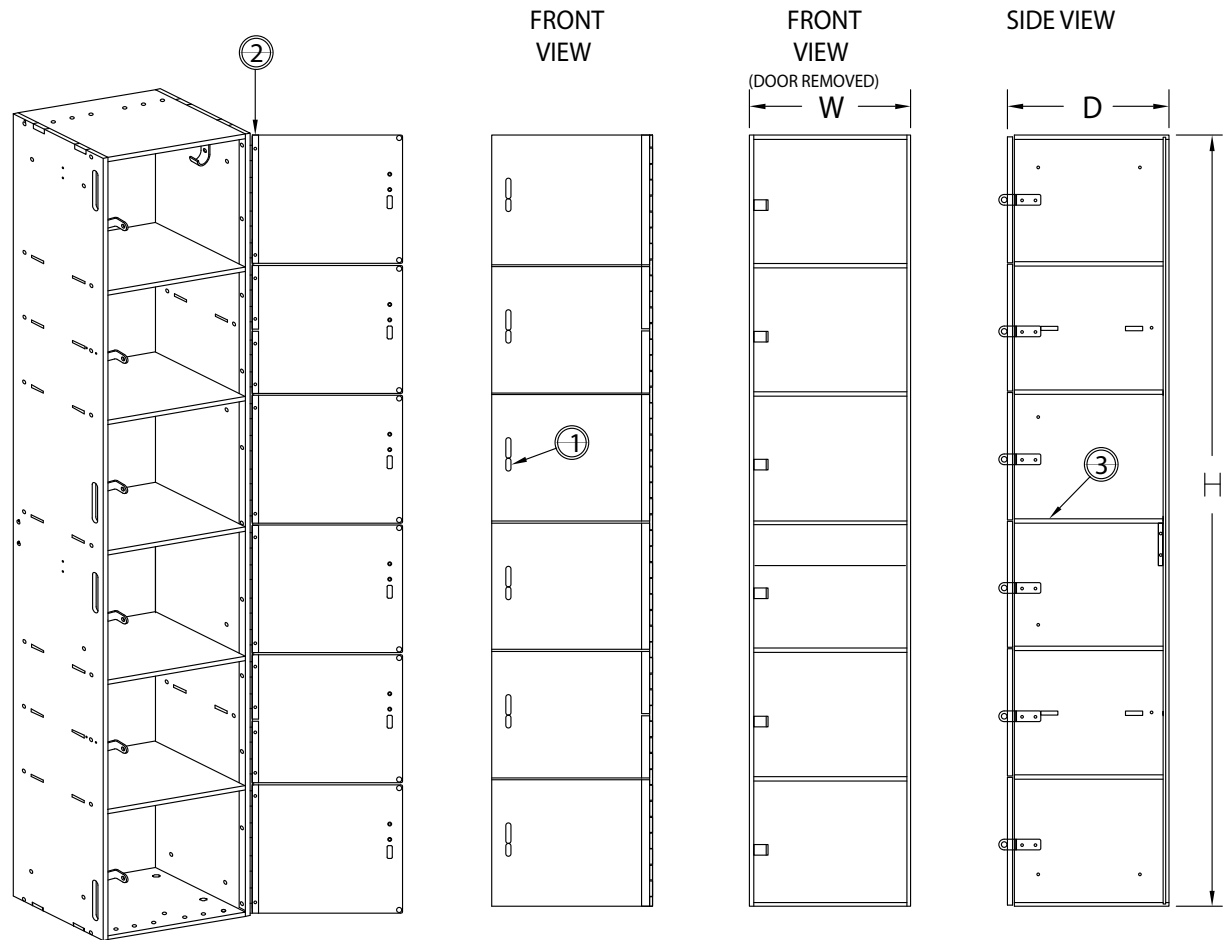
Interior Color: PL-310 WHITE  
 Exterior Color: ADVISE  
 Material: STD. POLYLIFE®

①	LOCK TYPE:	HASP
②	HINGE TYPE:	UNI-HINGE®
③	FULL SHELF	QTY. 5
④	VANITY:	N/A
⑤	COAT HOOK(S):	N/A
⑥	LATCH ASSY.	N/A

Additional Options:

Notes:

<b>MATERIAL THICKNESS</b>	
Tops/Bottoms/Shelves:	3/8"
Back Panel/Sides Panels:	3/8"
Doors:	1/2"



FOR SUBMITTAL  
USE ONLY  
SUBJECT TO APPROVAL



THIS DRAWING AND THE INFORMATION ON IT IS THE CONFIDENTIAL PROPERTY OF HALLOWELL, INC. AND SHALL NOT BE COPIED OR DISCLOSED TO OTHERS WITHOUT WRITTEN PERMISSION. ONLY HALLOWELL, INC. RESERVES THE RIGHT TO ALTER ANY DESIGN. ANY UNAUTHORIZED MODIFICATIONS RELEASES HALLOWELL, INC. FROM ALL LIABILITIES.

TOLERANCES UNLESS SPECIFIED:  
 FRACTIONS: ±1/32    DECIMALS: ±.010    DEGREES: ±1°

Customer:  
 Customer Order Number:  
 Description:

Drawn By: JFA	Checked By:	Date: 01.26.2016	Scale: NONE
Acad Number:		Sheet of 1	Revision:
Drawing Number:			

Z TIER POLY	QTY 82
<b>W:</b>	12"
<b>D:</b>	15"
<b>H:</b>	72"

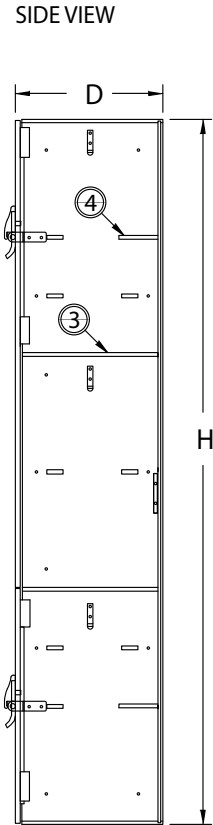
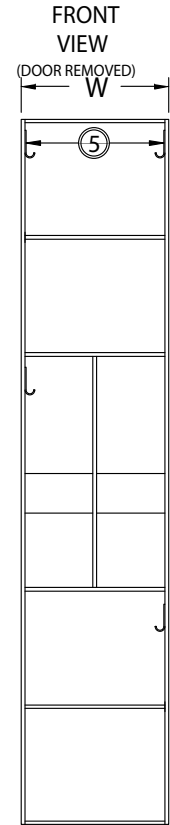
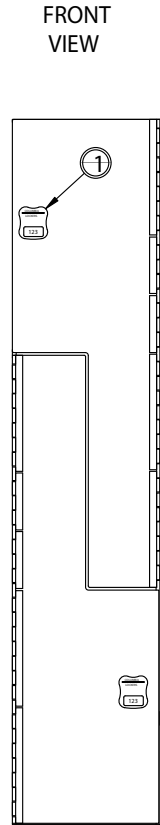
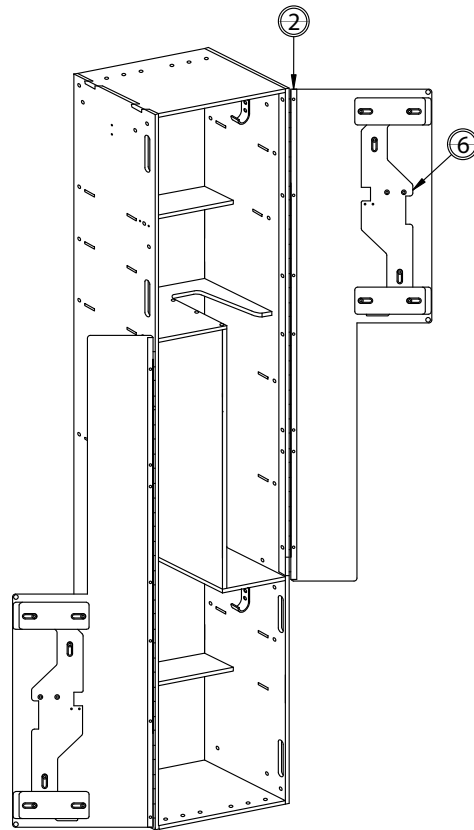
Interior Color: PL-310 WHITE  
 Exteior Color: TO BE ASSIGNED  
 Material: STD. POLYLIFE®

① LOCK TYPE:	HASP
② HINGE TYPE:	UNI-HINGE®
③ FULL SHELF	QTY. 1
④ VANITY:	QTY. 2
⑤ COAT HOOK(S):	QTY. 4
⑥ LATCH ASSY.	QTY. 2

Additional Options:

Notes:

<b>MATERIAL THICKNESS</b>	
Tops/Bottoms/Shelves:	3/8"
Back Panel/Sides Panels:	3/8"
Doors:	1/2"



FOR SUBMITTAL  
USE ONLY  
SUBJECT TO APPROVAL



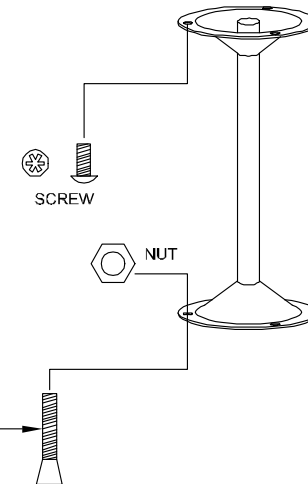
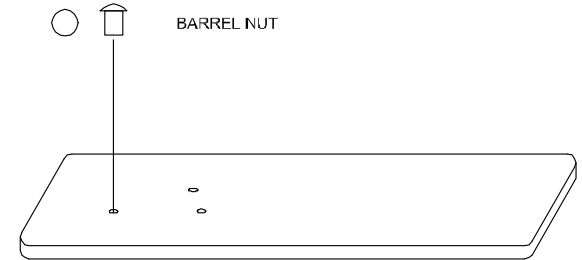
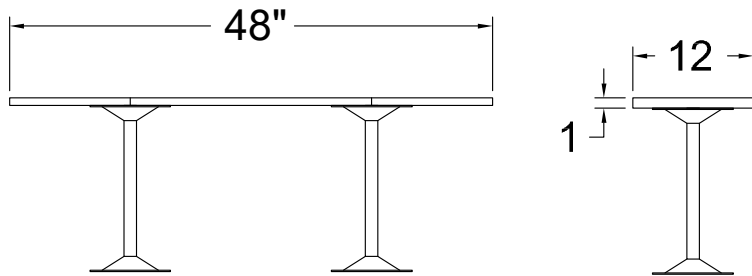
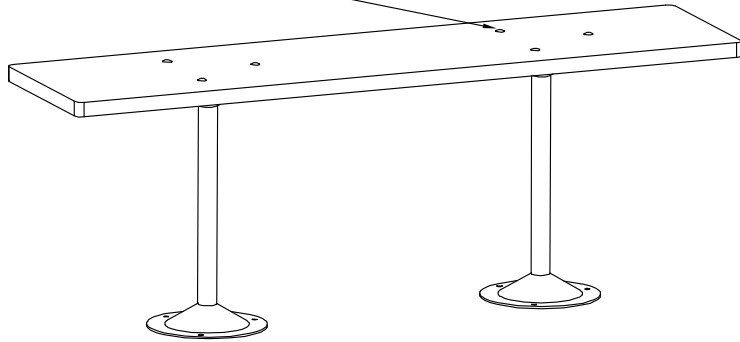
THIS DRAWING AND THE INFORMATION ON IT IS THE CONFIDENTIAL PROPERTY OF HALLOWELL, INC. AND SHALL NOT BE COPIED OR DISCLOSED TO OTHERS WITHOUT WRITTEN PERMISSION. ONLY ART METAL RESERVES THE RIGHT TO ALTER ANY DESIGN. ANY UNAUTHORIZED MODIFICATIONS RELEASES ART METAL FROM ALL LIABILITIES.

TOLERANCES UNLESS SPECIFIED:  
 FRACTIONS: ±1/32 DECIMALS: ±.010 DEGREES: ±1°

Customer: NORCON INDUSTRIES, INC.  
 Customer Order Number: QUOTE NUMBER  
 Description: JOB NAME  
 LOCATION

Drawn By: JFA	Checked By:	Date: 12.17.2014	Scale: NONE
Acad Number: PAGE NUMBER	Sheet Of 1	Revision:	
Drawing Number: FOLDER			

THRU BOLTED TO PEDESTAL  
BENCHES TO BE DRILLED IN FIELD



**CAUTION** - IN THE INTEREST OF SAFETY, ALL LOCKERS AND SHELVING MUST BE SECURELY ANCHORED TO THE FLOOR AND/OR WALL.  
THIS DRAWING AND THE INFORMATION ON IT IS THE CONFIDENTIAL PROPERTY OF HALLOWELL, INC. AND SHALL NOT BE COPIED OR DISCLOSED TO OTHERS WITHOUT WRITTEN PERMISSION. ONLY HALLOWELL, INC. RESERVES THE RIGHT TO ALTER ANY DESIGN. ANY UNAUTHORIZED MODIFICATIONS RELEASES HALLOWELL, INC. FROM ALL LIABILITIES.

Customer:  
Customer Order Number:  
Description:

Drawn By: JFA	Checked By:	Date: 01.27.2016	Scale: NONE
Acad Number:		Sheet of 1	Revision:
Drawing Number:			

**Hallowell**®