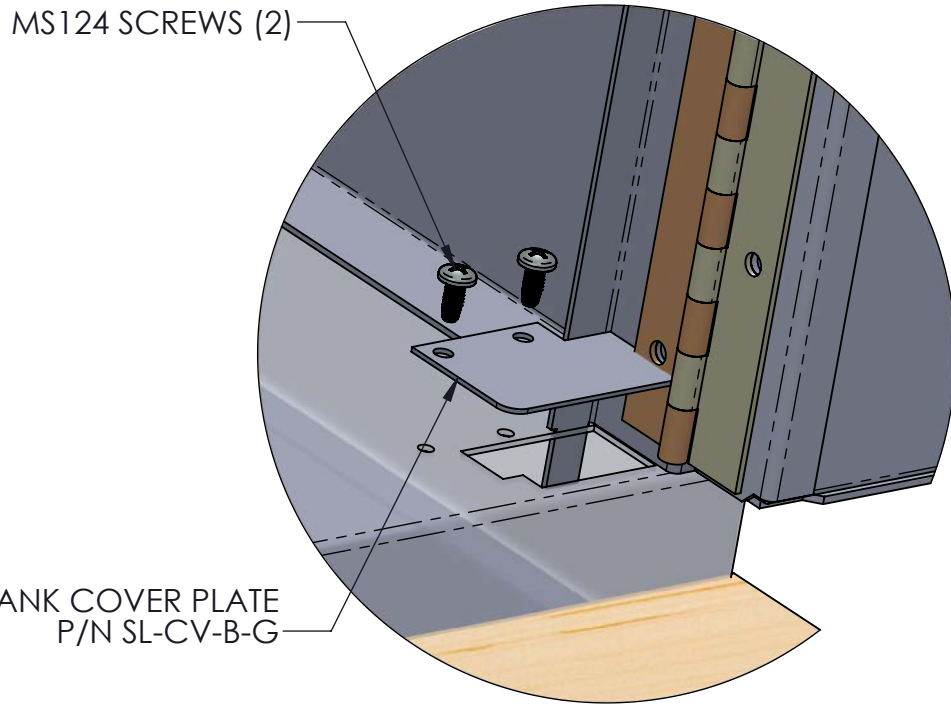


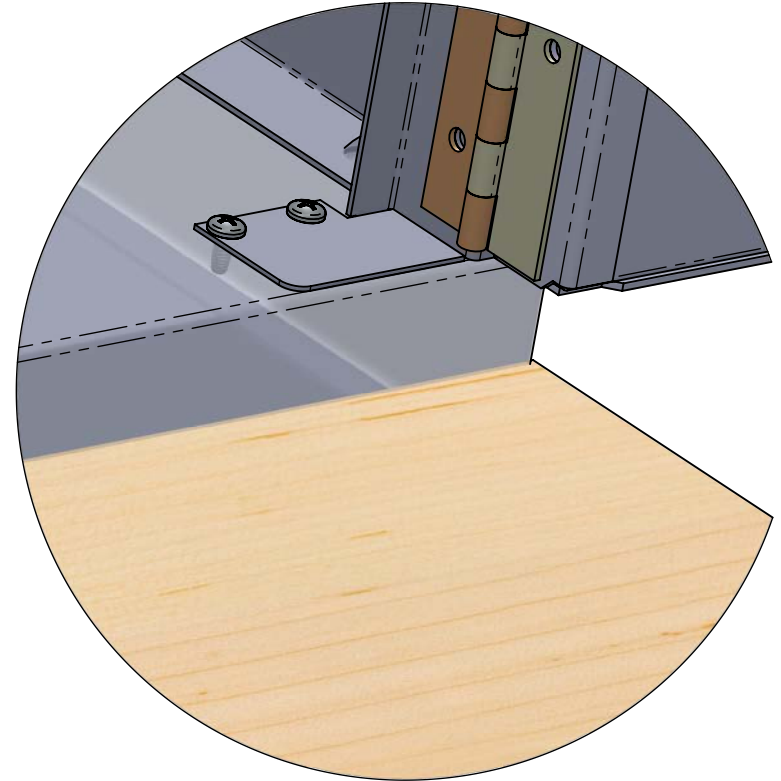
INSTALLING THE LATCH COVER PLATE

THESE BLANK PLATES ARE USED FOR A STAND-ALONE LOCKER (WITHOUT A DRAWER UNIT)
WHEN A DRAWER UNIT IS BEING INSTALLED, SEE SHEET 2

1. OPEN RIGHT DOOR
2. INSTALL PLATE USING (2) MS124 #8 SELF TAPPING SCREWS. SEE DETAIL A & B



DETAIL A



DETAIL B

BLANK COVER PLATE
P/N SL-CV-B-G

MS124 SCREWS (2)

TOLERANCES
UNLESS OTHERWISE
SPECIFIED

INCHES
XX. ± .010
XXX. ± .005

FRACTIONAL
X/X. ± 1/64

ANGULAR
∠ ± 1/2°

UNLESS OTHERWISE
SPECIFIED ALL
DIMENSIONS ARE IN
INCHES. METRIC
DIMENSIONS WILL BE
WITHIN [XX]

Hallowell

www.Hallowell-List.com

2823 W. ORANGE AVE.
APOPKA, FLORIDA 32703

Tel (866) 566-0500
Fax (407) 464-3610

DRAWN BY	DATE	DESCRIPTION	SCALE	SHEET	PART NO.	DRAWING NO.	REV.
ROW	8/19/2022	TASK FORCE BLANK PLATE TO LOCKER ASSEMBLY					
CHECKED BY	DATE						
APPROVED BY	DATE						
				1 OF 5		SA4290	

INSTALLING THE LOCKER ON THE DRAWER UNIT

1. REMOVE THE DRAWER ASSEMBLY, SEE SHEET 5.
2. IF INSTALLING THE BASE UNIT TO THE FLOOR BEFORE MOUNTING THE LOCKER, SEE NUMBER 5. PLACE THE LOCKER ON TOP OF THE BASE UNIT. MAKE LOCKER AND BASE UNIT FLUSH AT THE BACK. CENTER LOCKER RIGHT TO LEFT ON THE BASE UNIT.
3. USING A NAIL SET TOOL OR TAPERED PIN, LINE UP THE TWO HOLES IN THE BASE UNIT WITH THE TWO HOLES IN THE BOTTOM FLANGE ON THE LOCKER. IT MAY BE HELPFUL TO LIFT THE FRONT OF THE LOCKER TO SEE THE HOLES IN THE FLANGE. SCREW IN THE (2) MS124 SCREWS (FROM INSIDE BASE TO LOCKER). SEE DETAIL B & C
4. BOLT TWO UNITS TOGETHER USING (2) MS113, (2) N107 & (2) W118. SEE DETAIL B.
5. PUT IN PLACE AND ANCHOR TO THE FLOOR THROUGH BOTTOM OF BASE UNIT. DRILL HOLES IN BASE UNIT 12" FROM FRONT, 3" FROM EACH SIDE (ANCHORS BY OTHERS).
6. IF INSTALLING A WOOD SEAT SEE SHEET 4.
7. RE-INSTALL DRAWER.

MS124
2 PCS.



MS113
2 PCS.



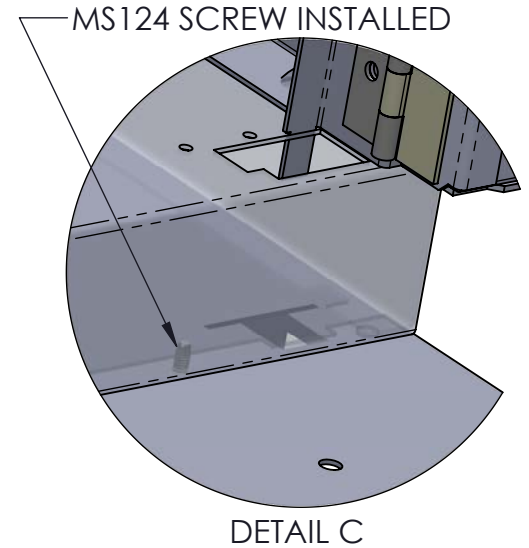
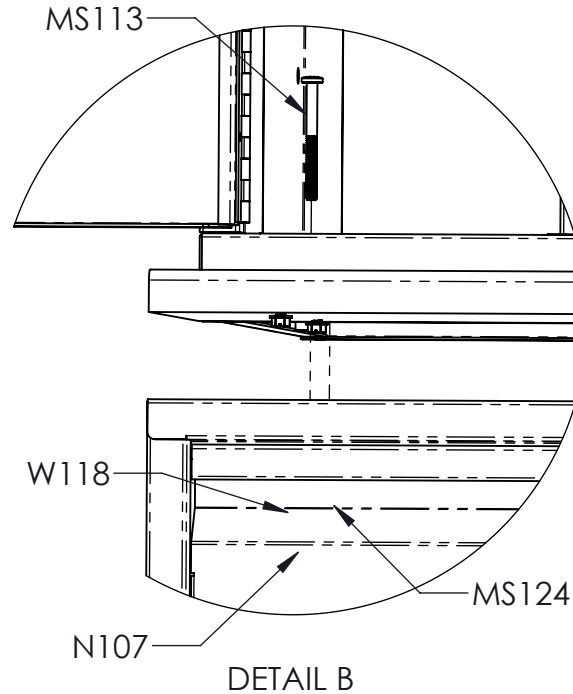
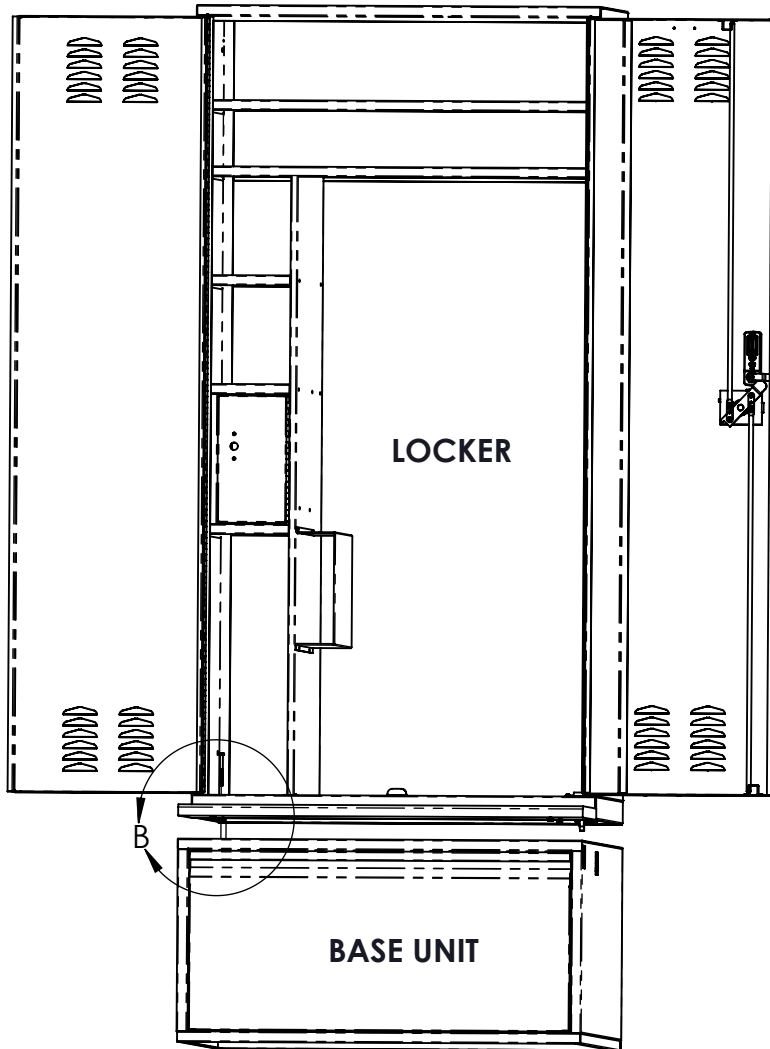
N107
2 PCS.



W118
2 PCS.



NAIL SET TOOL
(NOT INCLUDED)



TOLERANCES
UNLESS OTHERWISE
SPECIFIED

INCHES
XX. ± .010
XXX. ± .005

FRACTIONAL
X/X. ± 1/64

ANGULAR
∠ ± 1/2°

UNLESS OTHERWISE
SPECIFIED ALL
DIMENSIONS ARE IN
INCHES. METRIC
DIMENSIONS WILL BE
WITHIN [XX]



www.Hallowell-List.com

2823 W. ORANGE AVE.
APOPKA, FLORIDA 32703

Tel (866) 566-0500
Fax (407) 464-3610

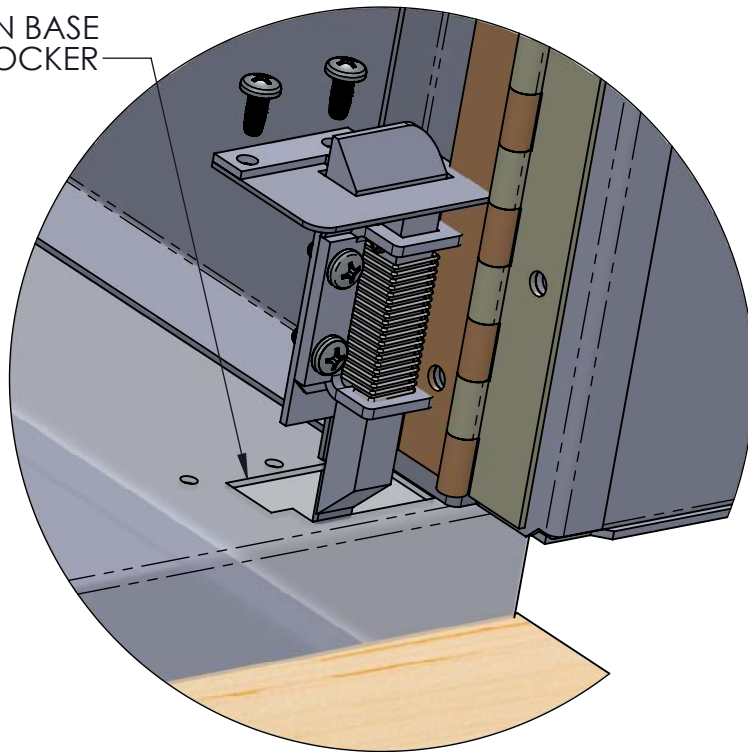
DRAWN BY	DATE	DESCRIPTION	SCALE	SHEET	PART NO.	DRAWING NO.	REV.
ROW	8/19/2022	TASK FORCE LOCKER TO BASE UNIT ASSEMBLY	2 OF 5	SA4290			
CHECKED BY	DATE						
APPROVED BY	DATE						

THIS DRAWING AND THE INFORMATION ON IT IS THE CONFIDENTIAL PROPERTY OF HALLOWELL, AND SHALL NOT BE COPIED OR DISCLOSED TO OTHERS WITHOUT WRITTEN PERMISSION. ONLY HALLOWELL RESERVES THE RIGHT TO ALTER ANY DESIGN. ANY UNAUTHORIZED MODIFICATIONS RELEASES HALLOWELL FROM ALL LIABILITIES.

MOUNTING THE LOCKING LATCH TO THE LOCKER

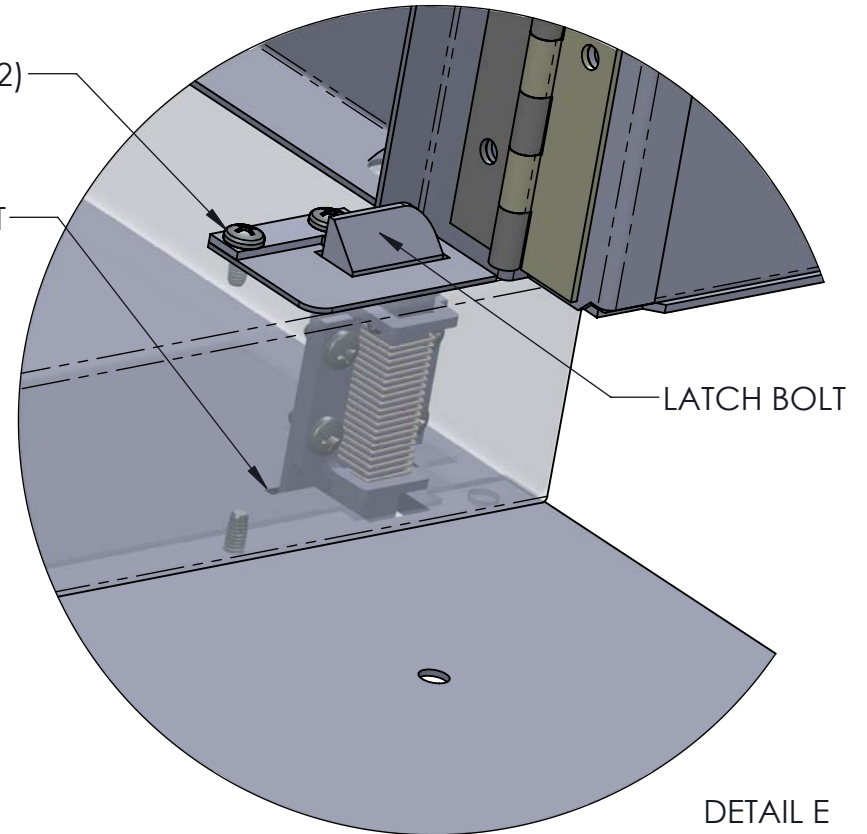
1. OPEN RIGHT DOOR, OPEN DRAWER ABOUT 4".
2. INSERT THE LATCH ASSEMBLY IN THE CUTOUT IN THE FRONT OF THE LOCKER. SEE DETAIL D. IT MAY BE NECESSARY TO JIGGLE THE LATCH WHILE INSERTING SO IT GOES DOWN INTO THE BASE UNIT. THE LATCH GOES INTO THE SLOTS IN THE TOP OF THE BASE UNIT. SEE DETAIL E. SEE SHEET 4 FOR DETAIL OF LATCH ASSEMBLY.
3. SCREW IN (2) MS124 SCREWS. SEE DETAIL E.
4. TEST LATCH: AFTER THE LATCH IS MOUNTED TO THE LOCKER, MAKE SURE THAT THE LATCH BOLT MOVES UP AND DOWN FREELY. SEE DETAIL E. IF NOT, LOOSEN SCREW AND MOVE LATCH AROUND AND RE-TIGHTEN THE SCREWS. ALSO THE DRAWER NEED TO BE FULLY CLOSED OR OPEN ABOUT 2" FOR THE BOLT TO MOVE UP AND DOWN. WITH THE RIGHT DOOR OPEN, MAKE SURE THAT THE DRAWER OPENS AND CLOSES. WITH THE DRAWER FULLY CLOSED, CLOSE DOOR AND MAKE SURE THE DRAWER IS LOCKED. LASTLY OPEN THE DOOR, OPEN THE DRAWER, CLOSE THE DOOR AND CLOSE THE DRAWER. THE DRAWER SHOULD CLOSE AND LOCK.

CUTOUT IN BASE OF THE LOCKER



DETAIL D

MS124 SCREWS (2)
LATCH DROPS INTO THE SLOT IN THE TOP OF THE BASE UNIT



DETAIL E

TOLERANCES UNLESS OTHERWISE SPECIFIED

INCHES
XX. ± .010
XXX. ± .005

FRACTIONAL
X/X. ± 1/64

ANGULAR
∠ ± 1/2°

UNLESS OTHERWISE SPECIFIED ALL DIMENSIONS ARE IN INCHES. METRIC DIMENSIONS WILL BE WITHIN [XX]

Hallowell

www.Hallowell-List.com

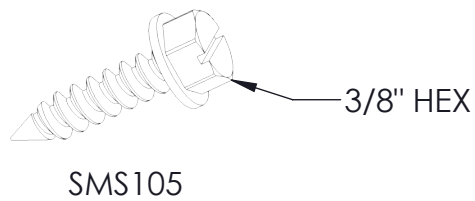
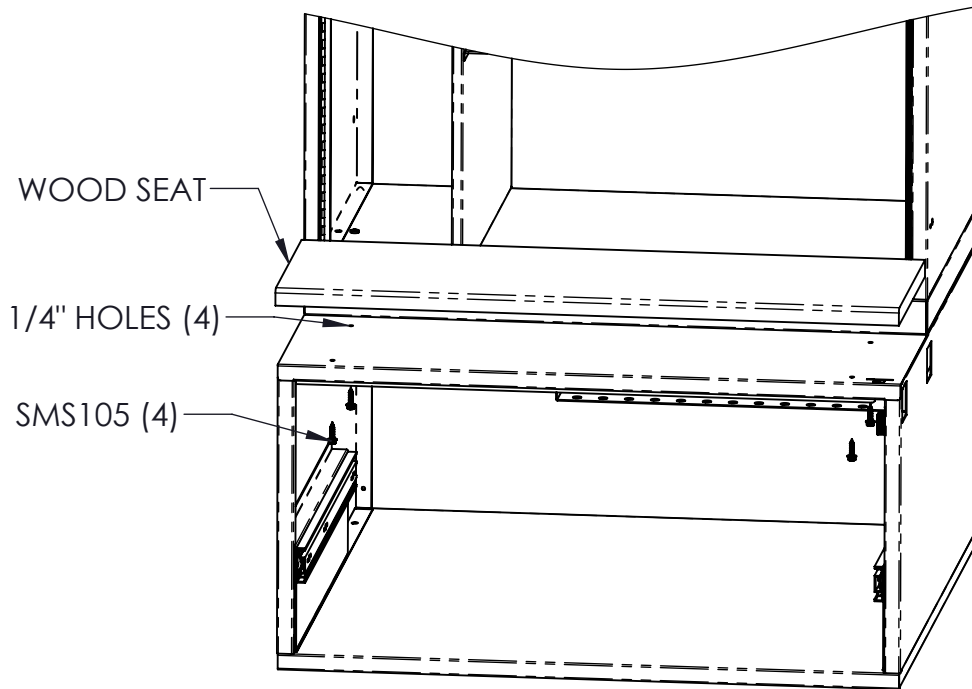
2823 W. ORANGE AVE.
APOPKA, FLORIDA 32703

Tel (866) 566-0500
Fax (407) 464-3610

DRAWN BY	DATE	DESCRIPTION				
ROW	8/19/2022		TASK FORCE LATCH TO LOCKER ASSEMBLY			
CHECKED BY	DATE					
APPROVED BY	DATE	SCALE	SHEET	PART NO.	DRAWING NO.	REV.
			3 OF 5		SA4290	

ATTACHING THE WOOD SEAT TO THE BASE

1. PLACE THE WOOD SEAT UP AGAINST THE FRONT OF THE CABINET AND CENTER LEFT TO RIGHT.
2. ATTACH THE WOOD SEAT USING (4) SMS105 SCREWS THRU THE 1/4" HOLES IN THE TOP OF THE DRAWER UNIT.



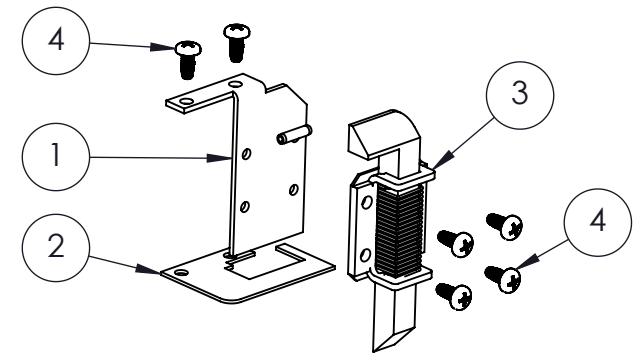
THIS DRAWING AND THE INFORMATION ON IT IS THE CONFIDENTIAL PROPERTY OF HALLOWELL, AND SHALL NOT BE COPIED OR DISCLOSED TO OTHERS WITHOUT WRITTEN PERMISSION. ONLY HALLOWELL RESERVES THE RIGHT TO ALTER ANY DESIGN. ANY UNAUTHORIZED MODIFICATIONS RELEASES HALLOWELL FROM ALL LIABILITIES.

ITEM NO.	PART NUMBER	DESCRIPTION	QTY.
1	SLP-DI	SLAM LATCH PLATE, DROP IN	1
2	SL-CV	SLAM LATCH COVER PLATE	1
3	SL-CAB-A	SLAM LATCH-CABINET	1
4	MS124	8-32 X 3/8 THREAD CUTTING PAN HEAD SCREW	6

SLAM LATCH ASSEMBLY

THIS LATCH GETS INSTALLED INTO THE LOCKER.

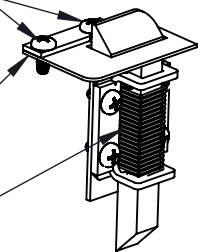
1. USING (4) MS124 SCREWS, ATTACH THE LATCH ASSEMBLY TO THE LATCH PLATE.
2. PLACE THE COVER PLATE UNDER THE LATCH PLATE.
3. PUT THE (2) MS124 SCREWS INTO THE LATCH PLATE AND THE COVER PLATE.



THESE SCREWS ARE USED TO MOUNT THE LATCH ASSEMBLY TO THE LOCKER

NOTE: COVER PLATE IS BELOW LATCH PLATE

LUBRICATE HERE WITH WD40 OR EQUIVALENT AS NEEDED



TOLERANCES UNLESS OTHERWISE SPECIFIED

INCHES
XX. ± .010
XXX. ± .005

FRACTIONAL
X/X. ± 1/64

ANGULAR
∠ ± 1/2°

UNLESS OTHERWISE SPECIFIED ALL DIMENSIONS ARE IN INCHES. METRIC DIMENSIONS WILL BE WITHIN [XX]

Hallowell
www.Hallowell-List.com

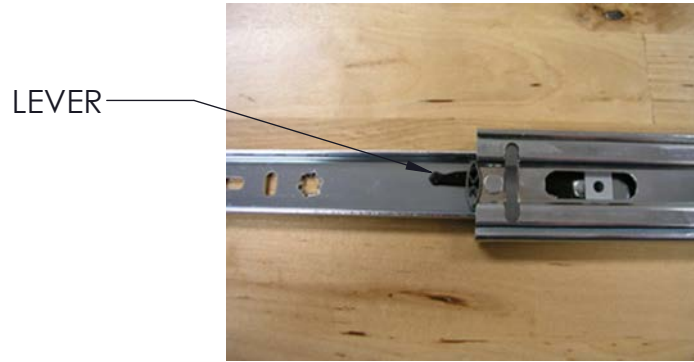
2823 W. ORANGE AVE.
APOPKA, FLORIDA 32703

Tel (866) 566-0500
Fax (407) 464-3610

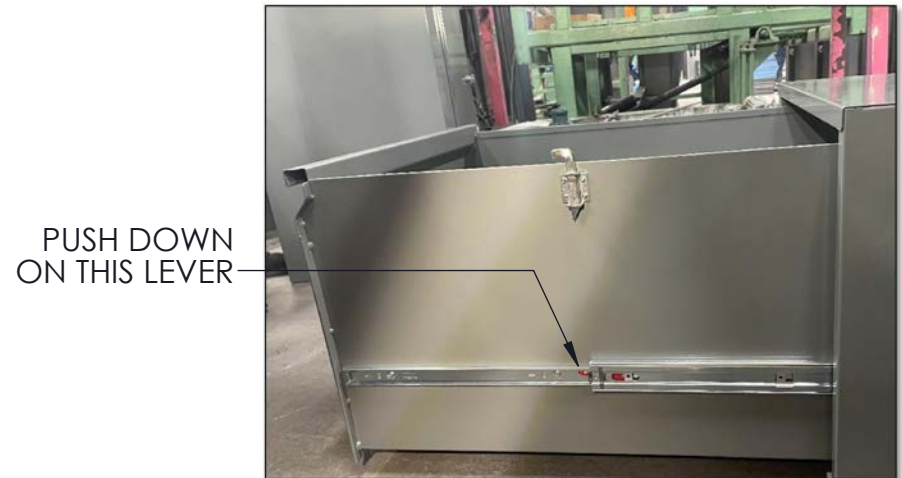
DRAWN BY	DATE	DESCRIPTION	SCALE	SHEET	PART NO.	DRAWING NO.	REV.
ROW	8/19/2022	TASK FORCE LOCKER WOOD SEAT AND SLAM LATCH ASSEMBLY		4 OF 5		SA4290	
CHECKED BY	DATE						
APPROVED BY	DATE						

INSTRUCTION FOR REMOVING THE DRAWER

1. OPEN THE DRAWER TO THEIR FULL EXTENT
2. EACH SLIDE HAS A SMALL LEVER IN THE MIDDLE OF IT FOR REMOVAL.



3. PUSH DOWN ON THE RIGHT LEVER AND UP ON THE LEFT LEVER.



4. AS YOU PUSH BOTH LEVERS, PULL DRAWER EVENLY TOWARDS YOU.
5. PULL THE DRAWER ALL THE WAY OUT UNTIL IT IS FULLY REMOVED FROM THE BASE UNIT.

THIS DRAWING AND THE INFORMATION ON IT IS THE CONFIDENTIAL PROPERTY OF HALLOWELL. AND SHALL NOT BE COPIED OR DISCLOSED TO OTHERS WITHOUT WRITTEN PERMISSION. ONLY HALLOWELL RESERVES THE RIGHT TO ALTER ANY DESIGN. ANY UNAUTHORIZED MODIFICATIONS RELEASES HALLOWELL FROM ALL LIABILITIES.

TOLERANCES
UNLESS OTHERWISE
SPECIFIED

INCHES
XX. ± .010
XXX. ± .005

FRACTIONAL
X/X. ± 1/64

ANGULAR
∠ ± 1/2°

UNLESS OTHERWISE
SPECIFIED ALL
DIMENSIONS ARE IN
INCHES. METRIC
DIMENSIONS WILL BE
WITHIN [XX]

Hallowell

www.Hallowell-List.com

2823 W. ORANGE AVE.
APOPKA, FLORIDA 32703

Tel (866) 566-0500
Fax (407) 464-3610

DRAWN BY	DATE	DESCRIPTION	SCALE	SHEET	PART NO.	DRAWING NO.	REV.
ROW	8/19/2022	TASK FORCE LOCKER DRAWER REMOVAL					
CHECKED BY	DATE						
APPROVED BY	DATE						
				5 OF 5		SA4290	