

# HIGH CAPACITY REINFORCED BOLTED SHELVING ASSEMBLY INSTRUCTIONS

## General Instructions

1. Check material received against the packing list. Check the number of packages received and then check the contents of each package.
2. Check the material received for damage. If damage has occurred, secure a “damage notation” from the carrier
3. Identify each part as it is unpacked and put like parts together as close as possible to the working area where they are to be assembled.
4. Be careful to use the correct hardware as specified in the assembly instructions.

## CAUTION

In the interest of safety, all lockers and shelving must be securely anchored to the floor and/or wall. For safety, handle all components carefully and wear work gloves when assembling lockers. Install all units plumb and tighten all hardware securely. Retain instructions for future reference.

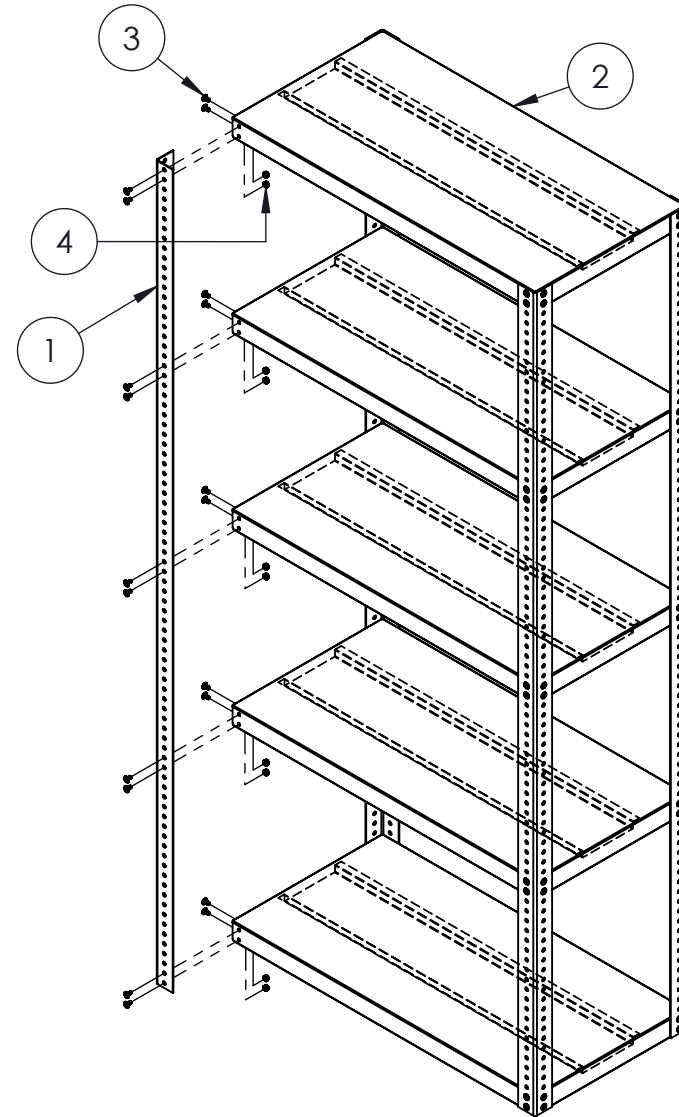
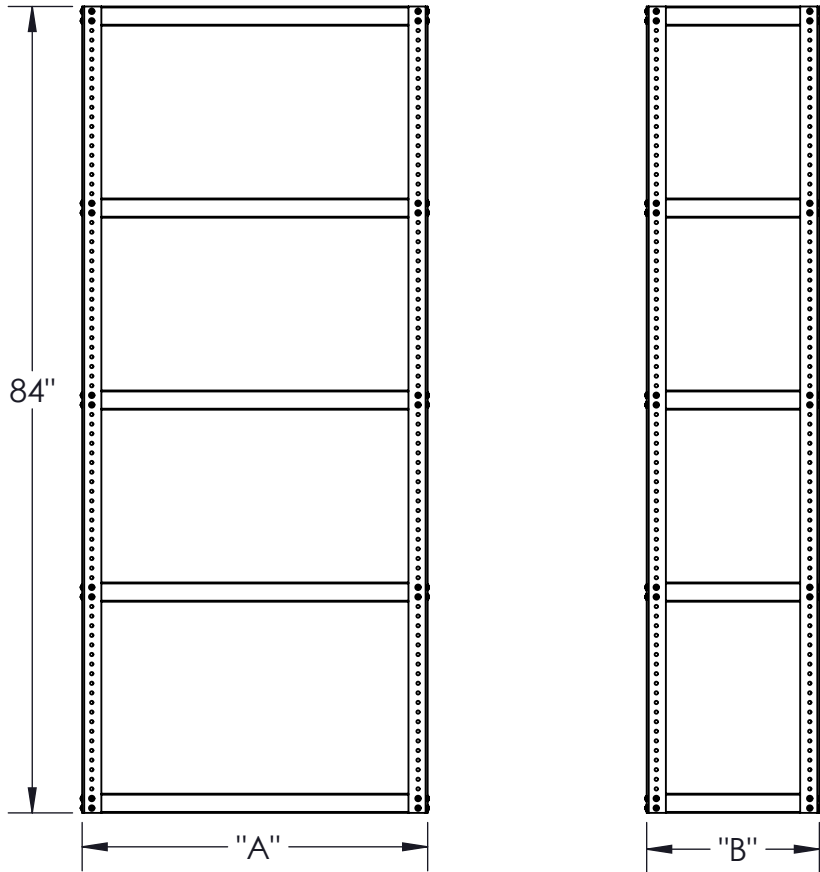


866-566-0500

[info@Hallowell-List.com](mailto:info@Hallowell-List.com)

[www.Hallowell-List.com](http://www.Hallowell-List.com)

ITEM NO.	PART NUMBER	DESCRIPTION	QTY.
1	HCBP84	POST	4
2	HCBSwwdd	SHELF	5
3	MS103	1/4-20 X 1/2" SCREW	80
4	N111	1/4-20 KEP NUT	80



REVISIONS				
ECO	REV	DESCRIPTION	DATE	BY

PART NUMBER	SHELF PART NUMBER	LENGTH "A"	WIDTH "B"
HCS361884-5	HCBS3618	36"	18"
HCS481884-5	HCBS4818	48"	18"
HCS482484-5	HCBS4824	48"	24"
HCS602484-5	HCBS6024	60"	24"
HCS722484-5	HCBS7224	72"	24"

TOLERANCES UNLESS OTHERWISE SPECIFIED

INCHES  
XX. ± .010  
XXX. ± .005

FRACTIONAL  
X/X. ± 1/64

ANGULAR  
∠ ± 1/2°

UNLESS OTHERWISE SPECIFIED ALL DIMENSIONS ARE IN INCHES. METRIC DIMENSIONS WILL BE WITHIN [XX]



www.Hallowell-List.com

2823 W. ORANGE AVE.  
APOPKA, FLORIDA 32703

Tel (866) 566-0500  
Fax (407) 464-3610

DRAWN BY	DATE	DESCRIPTION	SCALE	SHEET	PART NO.	DRAWING NO.	REV.
ROW	5/14/2014	<b>HEAVY DUTY BOLT SHELVING 5-PACK</b>	1 OF 1	HCS482484-5	SA1685		
CHECKED BY	DATE						
APPROVED BY	DATE						

THIS DRAWING AND THE INFORMATION ON IT IS THE CONFIDENTIAL PROPERTY OF HALLOWELL, AND SHALL NOT BE COPIED OR DISCLOSED TO OTHERS WITHOUT WRITTEN PERMISSION. ONLY HALLOWELL RESERVES THE RIGHT TO ALTER ANY DESIGN. ANY UNAUTHORIZED MODIFICATIONS RELEASES HALLOWELL FROM ALL LIABILITIES.