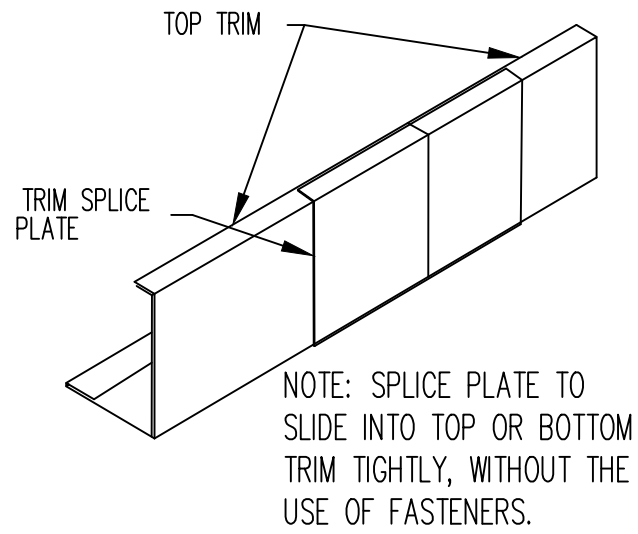
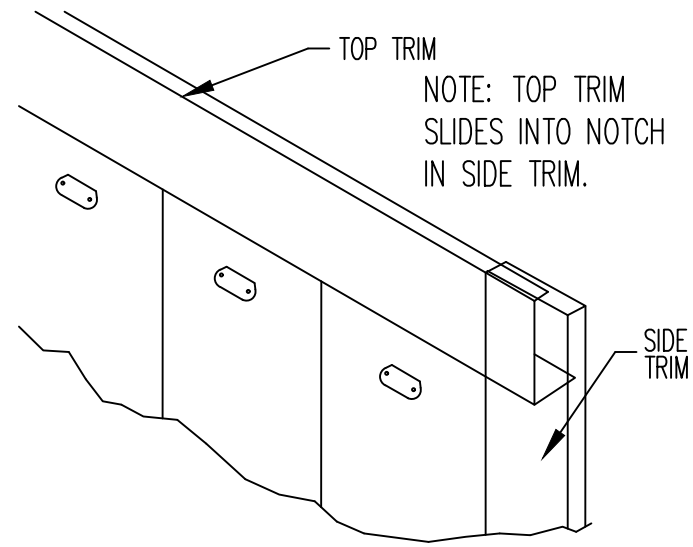


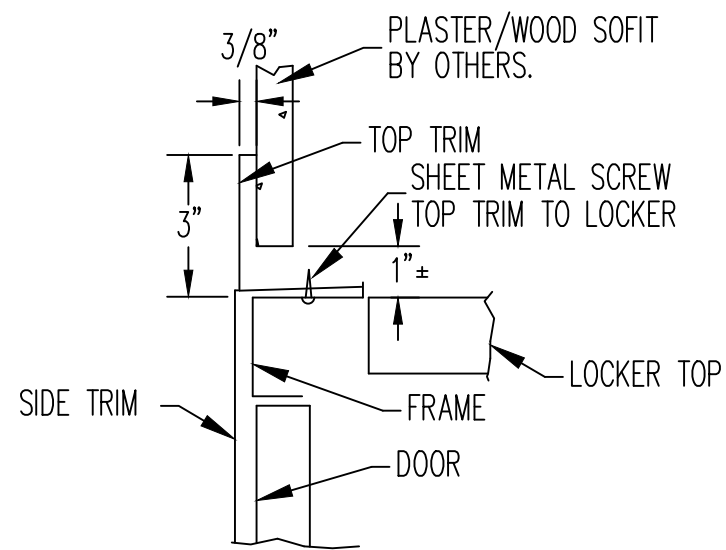
STANDARD



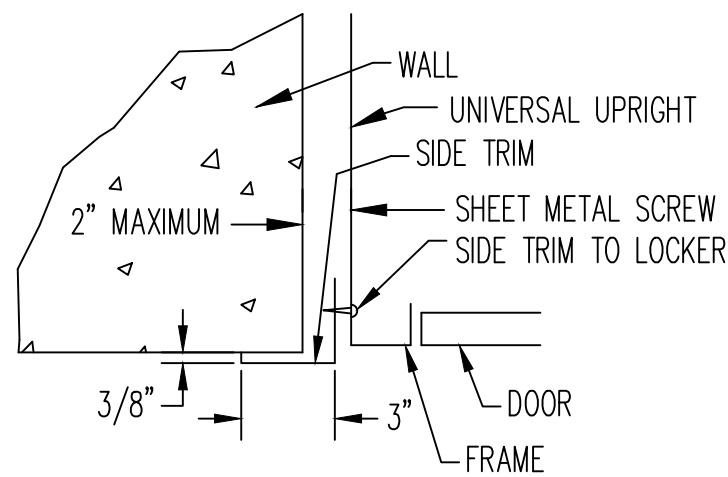
RECESS TRIM SPLICE PLATE



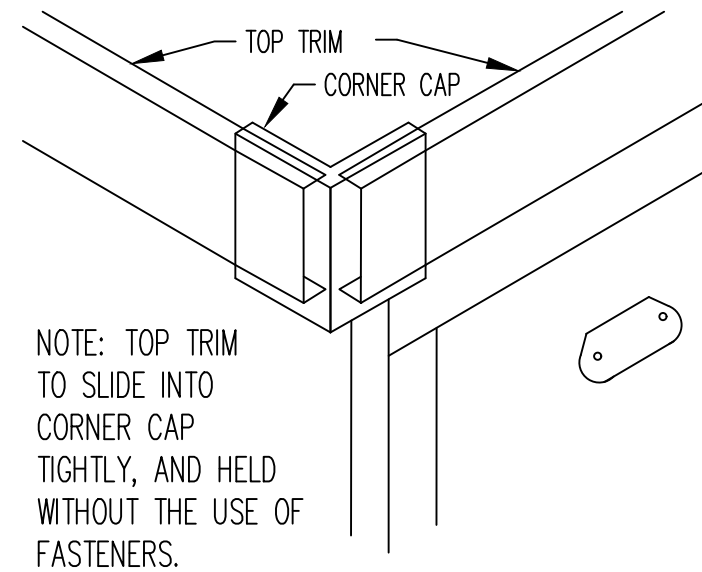
CORNER DETAIL



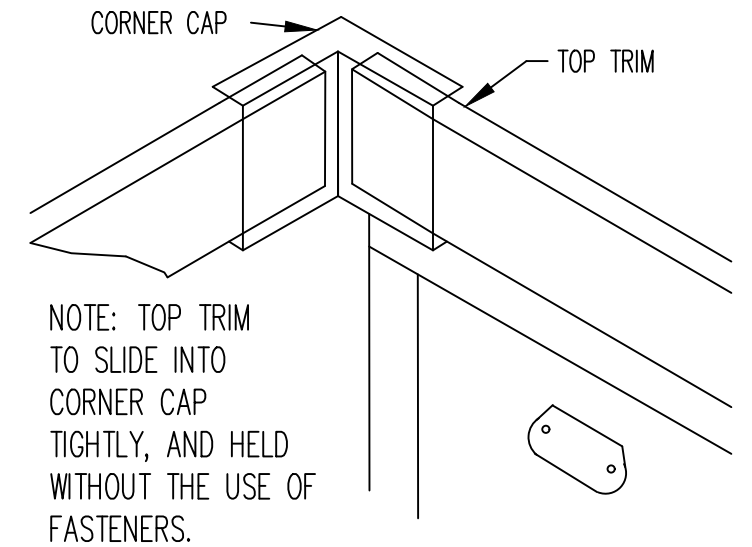
RECESS TOP TRIM



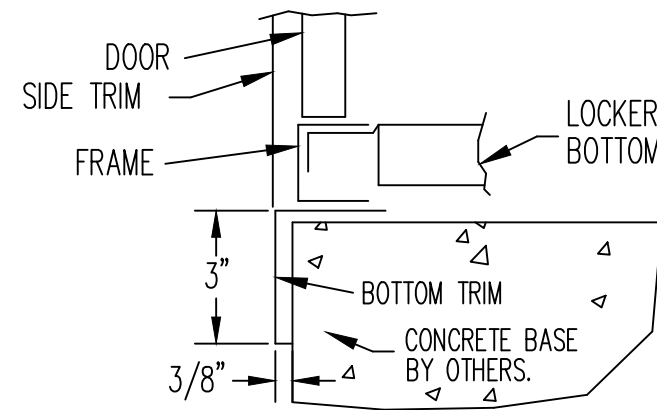
RECESS SIDE TRIM



OUTSIDE RECESS CORNER CAP



INSIDE RECESS CORNER CAP



RECESS BOTTOM TRIM

**FOR SUBMITTAL
USE ONLY
SUBJECT TO APPROVAL**



CAUTION: IN THE INTEREST OF SAFETY, ALL LOCKERS AND SHELVING MUST BE SECURELY ANCHORED TO THE FLOOR AND/OR WALL.

THIS DRAWING AND THE INFORMATION ON IT IS THE CONFIDENTIAL PROPERTY OF HALLOWELL, INC. AND SHALL NOT BE COPIED OR DISCLOSED TO OTHERS WITHOUT WRITTEN PERMISSION. ONLY HALLOWELL, INC. RESERVES THE RIGHT TO ALTER ANY DESIGN. ANY UNAUTHORIZED MODIFICATIONS RELEASES HALLOWELL, INC. FROM ALL LIABILITIES.

Customer:	Drawn By:	Checked By:	Date:	Scale: NONE
Customer Order Number:				
Description: RECESS TRIM DETAILS	Acad Number:	Sheet 1 Of 1	Revision:	
	Drawing Number:			